

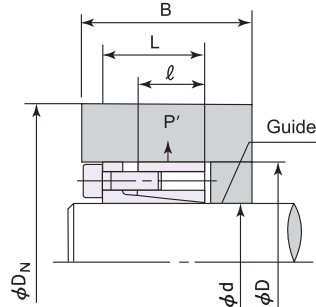
# FL Metric Series

## Installing to hubs with a guide portion

when  $B \geq 2\ell$   
(See Installation Example A)

$D_N$  is the minimum hub diameter required to tolerate  $P'$  or the pressure exerted from within the hub.

<EXAMPLE> Hub Material Yield Point = 35500 psi  
PL030X055FL = 3.295" min. hub diameter



Hub with Guide

Installation Example A  
When installing to hubs with a guide portion, the hub configuration coefficient is as follows:  $K_3=0.8$

### Min. Hub Dia. ( $D_N$ in inches)

| Model Number | Hub Contact Pressure $P'$ (psi) | Yield Point and Material examples |           |                        |              |           |           |                      |           |           |           |
|--------------|---------------------------------|-----------------------------------|-----------|------------------------|--------------|-----------|-----------|----------------------|-----------|-----------|-----------|
|              |                                 | 147 Mpa                           | 176 Mpa   | 206 Mpa                | 225 Mpa      | 245 Mpa   | 274 Mpa   | 294 Mpa              | 343 Mpa   | 392 Mpa   | 441 Mpa   |
|              |                                 | 21300 psi                         | 25500 psi | 29900 psi              | 32600 psi    | 35500 psi | 39700 psi | 42600 psi            | 49700 psi | 56900 psi | 64000 psi |
|              |                                 |                                   |           | 1010<br>304SS<br>316SS | 1015<br>1118 | 1020      | 1030      | 1035<br>1040<br>1144 | 1045      | 1055      |           |
| PL019X047 FL | 13747                           | 3.279                             | 2.937     | 2.725                  | 2.630        | 2.550     | 2.460     | 2.411                | 2.318     | 2.252     | 2.202     |
| PL020X047 FL | 13747                           | 3.279                             | 2.937     | 2.725                  | 2.630        | 2.550     | 2.460     | 2.411                | 2.318     | 2.252     | 2.202     |
| PL022X047 FL | 13747                           | 3.279                             | 2.937     | 2.725                  | 2.630        | 2.550     | 2.460     | 2.411                | 2.318     | 2.252     | 2.202     |
| PL024X050 FL | 16153                           | 3.962                             | 3.430     | 3.122                  | 2.988        | 2.878     | 2.755     | 2.689                | 2.566     | 2.479     | 2.414     |
| PL025X050 FL | 16153                           | 3.962                             | 3.430     | 3.122                  | 2.988        | 2.878     | 2.755     | 2.689                | 2.566     | 2.479     | 2.414     |
| PL028X055 FL | 17621                           | 4.772                             | 4.019     | 3.606                  | 3.431        | 3.288     | 3.132     | 3.048                | 2.894     | 2.786     | 2.707     |
| PL030X055 FL | 17621                           | 4.772                             | 4.019     | 3.606                  | 3.431        | 3.288     | 3.132     | 3.048                | 2.894     | 2.786     | 2.707     |
| PL032X060 FL | 17466                           | 5.156                             | 4.356     | 3.914                  | 3.726        | 3.574     | 3.406     | 3.315                | 3.149     | 3.033     | 2.947     |
| PL035X060 FL | 17466                           | 5.156                             | 4.356     | 3.914                  | 3.726        | 3.574     | 3.406     | 3.315                | 3.149     | 3.033     | 2.947     |
| PL038X065 FL | 20729                           | 7.246                             | 5.556     | 4.786                  | 4.483        | 4.245     | 3.992     | 3.859                | 3.620     | 3.456     | 3.337     |
| PL040X065 FL | 20729                           | 7.246                             | 5.556     | 4.786                  | 4.483        | 4.245     | 3.992     | 3.859                | 3.620     | 3.456     | 3.337     |
| PL042X075 FL | 19304                           | 7.377                             | 5.948     | 5.229                  | 4.936        | 4.702     | 4.448     | 4.314                | 4.069     | 3.901     | 3.777     |
| PL045X075 FL | 19304                           | 7.377                             | 5.948     | 5.229                  | 4.936        | 4.702     | 4.448     | 4.314                | 4.069     | 3.901     | 3.777     |
| PL048X080 FL | 21114                           | 9.309                             | 7.005     | 5.992                  | 5.598        | 5.291     | 4.966     | 4.796                | 4.490     | 4.283     | 4.131     |
| PL050X080 FL | 21114                           | 9.309                             | 7.005     | 5.992                  | 5.598        | 5.291     | 4.966     | 4.796                | 4.490     | 4.283     | 4.131     |
| PL055X085 FL | 19872                           | 8.766                             | 6.940     | 6.055                  | 5.698        | 5.416     | 5.112     | 4.951                | 4.660     | 4.460     | 4.313     |
| PL060X090 FL | 21449                           | 10.794                            | 8.011     | 6.819                  | 6.360        | 6.003     | 5.627     | 5.430                | 5.079     | 4.840     | 4.666     |
| PL065X095 FL | 22860                           | 13.626                            | 9.235     | 7.643                  | 7.061        | 6.619     | 6.160     | 5.924                | 5.506     | 5.225     | 5.023     |
| PL070X110 FL | 20463                           | 11.936                            | 9.258     | 8.001                  | 7.514        | 7.125     | 6.708     | 6.489                | 6.094     | 5.823     | 5.626     |
| PL075X115 FL | 22370                           | 15.255                            | 10.778    | 9.028                  | 8.373        | 7.872     | 7.348     | 7.076                | 6.594     | 6.268     | 6.033     |
| PL080X120 FL | 21437                           | 14.392                            | 10.681    | 9.092                  | 8.479        | 8.004     | 7.503     | 7.240                | 6.771     | 6.453     | 6.221     |
| PL085X125 FL | 23152                           | 18.723                            | 12.385    | 10.184                 | 9.388        | 8.787     | 8.166     | 7.847                | 7.284     | 6.907     | 6.635     |
| PL090X130 FL | 22262                           | 16.937                            | 12.076    | 10.144                 | 9.418        | 8.860     | 8.276     | 7.973                | 7.434     | 7.070     | 6.806     |
| PL095X135 FL | 21437                           | 16.191                            | 12.016    | 10.228                 | 9.539        | 9.005     | 8.440     | 8.145                | 7.618     | 7.259     | 6.999     |
| PL100X145 FL | 21916                           | 18.251                            | 13.237    | 11.180                 | 10.400       | 9.797     | 9.164     | 8.834                | 8.248     | 7.850     | 7.562     |